



# Standard Test Method for Impact Testing for Shipping Containers and Systems<sup>1</sup>

This standard is issued under the fixed designation D880; the number immediately following the designation indicates the year of original adoption or, in the case of revision, the year of last revision. A number in parentheses indicates the year of last reapproval. A superscript epsilon ( $\epsilon$ ) indicates an editorial change since the last revision or reapproval.

## 1. Scope

1.1 This test method covers two procedures for conducting impact tests on loaded containers or shipping units (pallet loads), as follows:

1.1.1 *Procedure A*, to test the ability of a container or shipping unit to withstand impacts, and

1.1.2 *Procedure B*, to test the ability of a container or shipping unit or interior packing, or both, to provide protection to the contents, when subjected to impacts.

1.2 Either of these two procedures may be used to evaluate different designs of containers of the same size and carrying the same load. These procedures are suitable for testing various types of containers such as boxes, crates, barrels, drums, kegs, bags, sacks, or pails made of various materials or combinations of materials and for shipping units such as pallet loads or palletized units.

1.3 The procedures described in this test method are particularly suitable for testing large or heavily loaded containers.

1.4 The values stated in inch-pound units are to be regarded as standard. The values given in parentheses are mathematical conversions to SI units that are provided for information only and are not considered standard.

1.5 *This standard does not purport to address all of the safety concerns, if any, associated with its use. It is the responsibility of the user of this standard to establish appropriate safety and health practices and determine the applicability of regulatory limitations prior to use. Specific precautionary statements are given in Note 1 and Section 7.*

## 2. Referenced Documents

### 2.1 ASTM Standards:<sup>2</sup>

[D996 Terminology of Packaging and Distribution Environments](#)

<sup>1</sup> This test method is under the jurisdiction of ASTM Committee D10 on Packaging and is the direct responsibility of Subcommittee D10.21 on Shipping Containers and Systems - Application of Performance Test Methods.

Current edition approved Oct. 1, 2015. Published October 2015. Originally approved in 1968. Last previous edition approved in 2008 as D880 – 92 (2008). DOI: 10.1520/D0880-92R15.

<sup>2</sup> For referenced ASTM standards, visit the ASTM website, [www.astm.org](http://www.astm.org), or contact ASTM Customer Service at [service@astm.org](mailto:service@astm.org). For *Annual Book of ASTM Standards* volume information, refer to the standard's Document Summary page on the ASTM website.

[D4003 Test Methods for Programmable Horizontal Impact Test for Shipping Containers and Systems](#)

[D4332 Practice for Conditioning Containers, Packages, or Packaging Components for Testing](#)

[D5277 Test Method for Performing Programmed Horizontal Impacts Using an Inclined Impact Tester](#)

[E122 Practice for Calculating Sample Size to Estimate, With Specified Precision, the Average for a Characteristic of a Lot or Process](#)

### 2.2 ISO Standard:

[ISO 2244 Horizontal Impact Test \(Horizontal or Incline Plane Test: Pendulum Test\)<sup>3</sup>](#)

## 3. Terminology

3.1 *Definitions*—For definitions of terms applicable to this test method see Terminology [D996](#).

### 3.2 Definitions of Terms Specific to This Standard:

3.2.1 *hazard*—removable solid object of any size or shape placed on an impact surface (backstop) so as to contact a test specimen at any desired location during the impact of the specimen into the impact surface (backstop).

## 4. Summary of Test Method

4.1 An apparatus having a guided carriage capable of holding a test container or shipping unit impacts into a rigid impact surface (backstop) with or without hazards at a predetermined impact velocity. When testing the ability of a container or shipping unit to withstand impact (Procedure A) multiple tests with the same impact velocity or increasing impact velocities may be conducted until failure occurs. When testing the ability of the container, shipping unit, or interior packing, or combination thereof, to provide protection to the contents (Procedure B), a predetermined number of impacts, at predetermined velocities, are applied and the container(s) and contents are then inspected.

## 5. Significance and Use

5.1 The impact test has been found useful in laboratory simulation of impacts such as those encountered in manual and

<sup>3</sup> Available from American National Standards Institute (ANSI), 25 W. 43rd St., 4th Floor, New York, NY 10036, <http://www.ansi.org>.

mechanical handling and transportation. The impact test simulates some types of shocks that could occur in the handling of packages or shipping units and helps evaluate the ability of the package to protect the contents against these shocks. The test may also permit observation of progressive failure of a package and damage to the contents.

5.2 The test results within a given laboratory using this test method may be useful for evaluating and comparing packages. However, because of the variability of test machines that have been used in the past, especially the impact surface (backstop), it has been found that interlaboratory correlation of test results has been poor.

5.3 These procedures are not intended to simulate rail car coupling environment. Refer to Test Method [D4003](#) and Test Methods [D5277](#).

5.4 This test method fulfills the requirement of ISO 2244.

NOTE 1—ISO 2244 may not meet the requirements for this test method.

## 6. Apparatus

### 6.1 *Testing Machine:*

6.1.1 The test machine shall consist of a guided test carriage with a flat test specimen mounting surface and an impact surface (backstop) with the plane of the face perpendicular within  $\pm 30$  min ( $1/2^\circ$ ) to the direction of movement of the carriage at impact.

6.1.2 There shall be an impact surface (backstop) that is integral with a solid mass at least 50 times the maximum mass of the test specimen. The impact surface firmly attached to the mass, shall be a steel plate not less than  $1/2$  in. (13 mm) thick. The impact surface (backstop) must have dimensions greater than those of the impacting surface of the test specimen to permit full contact with the shipping container.

NOTE 2—The purpose of the apparatus is to provide an impact surface (backstop) and mass that will improve interlaboratory correlation of test results and the accuracy of tests between laboratories. The test can be conducted on apparatus that does not meet the requirements of [6.1.2](#), provided it is clearly stated in [14.1.1](#).

6.1.3 The test machine shall provide some means of moving the test carriage to obtain the desired impact velocity. This may be the result of mechanical or pneumatic means, gravity through the use of a  $10^\circ$  (nominal) incline, or a pendulum device.

NOTE 3—Depending upon the configuration of the test machine there may be other forces acting before, during, or after the impact that may affect the test results.

6.1.4 The test machine should preferably have a means of preventing multiple impacts.

6.1.5 The test carriage shall provide surface friction such that the test specimen does not move during the period from rest to impact, but will move freely upon impact.

6.1.6 The impact surface (backstop) may, if desired, be equipped with hazards that can be so placed as to contact the container at the time of impact at any desired position between top and bottom edges of the container. The dimensions, material, and location of the interposed hazard should be carefully specified.

### 6.2 *Instrumentation:*

6.2.1 Instrumentation that may be an optical or mechanical timing device is required to measure the carriage impact velocity to an accuracy of  $\pm 2\%$  of the actual value. When testing is within a laboratory and for comparative purposes only, instrumentation is optional.

## 7. Safety Precautions

7.1 The procedures given in this test method may produce severe mechanical responses in the test specimen. Therefore, operating personnel must remain alert to potential hazards and take necessary precautions for their safety. The test area should be cleared prior to each test. Stop the test immediately if a dangerous condition should develop. The testing of hazardous materials or products may require special precautions that must be observed. Safety equipment may be required and its use must be understood before starting the test.

## 8. Sampling

8.1 The number of test specimens depends on the desired degree of precision and the availability of specimens. Practice [E122](#) provides guidance on the choice of sample size. It is recommended that at least three representative test specimens be used.

## 9. Test Specimens

9.1 When the specimen is being tested by Procedure A to determine the ability of the container or shipping unit to withstand impact stresses, either the actual contents or a dummy load simulating such contents can be used. When the specimen is being tested by Procedure B to determine the ability of the container or shipping unit or interior packing, or both, to provide protection to the contents, actual contents shall be used. For both procedures closing, strapping, or sealing should be the same as will be used in actual shipment.

NOTE 4—Certain contents or ingredients of the objects under test may be replaced by inert materials of approximately the same weight and characteristics.

9.2 *Identification of Members*—See [Annex A1](#).

## 10. Calibration

10.1 Calibrate the impact carriage so that the desired impact velocity ( $\pm 5\%$ ) may be achieved.

10.2 Make the calibration using the carriage with a load simulating actual contents equivalent to the package/product's weight. Measure the velocity of the carriage just before impact.

## 11. Conditioning

11.1 It is recommended that atmospheres for conditioning be selected from those shown in Practice [D4332](#). Unless otherwise specified, precondition and condition fiberboard and other paperboard containers in accordance with the standard atmosphere specified in Practice [D4332](#).

## 12. Procedure

12.1 *Procedure A:*

12.1.1 *Testing of the Ability of a Container to Withstand Impacts*—Place the container or shipping unit to be tested on the carriage with the face or edge that is to receive the impact located projecting 2 in. (51 mm) beyond the impacting end of the carriage.

12.1.2 If it is desired to concentrate the impact at any particular position on the test specimen, attach an optional hazard to the impact surface (backstop) in the desired position before the test. The hazard should be strong enough to withstand the impact of the carriage if it should strike it.

12.1.3 Position the carriage so that the predetermined impact velocity will be obtained and release. Measure the impact velocity of each test to ensure it is representative of the desired impact velocity. The cycle of impacts continues by either repeating the original impact velocity or increasing the impact velocity for each cycle of impacts.

12.1.4 The sequence in which the faces and edges are subjected to impacts may be at the option of the operator and will depend on the objective of the tests. Continue the test until failure of the container or shipping unit occurs. Depending on the purpose of the test, failure is when some predetermined type of damage has occurred, that is, exposure or spillage of contents, or both.

## 12.2 Procedure B:

12.2.1 *Testing of the Ability of a Container, Shipping Unit, or Interior Packing, or combination thereof, to Provide Protection to the Contents*—Conduct this test in accordance with 12.1 until a predetermined number of impacts at specific impact velocities have been applied. Open the container or shipping unit to inspect the contents unless previous evidence of failure is apparent.

## 13. Report

13.1 Report the following information:

13.1.1 Reference to this test method, noting any deviations from the procedure,

13.1.2 A description of the test specimen in sufficient detail for proper identification,

13.1.3 Description of the contents,

13.1.4 Identification of the purpose of the test,

13.1.5 Identification of apparatus, including angle of incline if appropriate. Instrumentation used, including date of last instrument calibration. Details of any modifications to either apparatus or instrumentation, if known, shall be included,

13.1.6 Method of conditioning,

13.1.7 Description of the test sequence, the impact velocity of each test, orientation of specimens on the carriage, and the use of any optional hazards, including the dimensions, material, and location carefully specified, and

13.1.8 Detailed record of damage to the test specimen or contents, together with any other observation that may assist in correctly interpreting the results or aid in improving the design of the test specimen or the method of packing, blocking, or cushioning.

## 14. Precision and Bias<sup>4</sup>

14.1 *Precision:*

14.1.1 This test method is usually conducted to determine if a container or shipping system completes the prescribed test without specified damage. With this situation, no statement can be made about the precision because the results merely state whether there is conformance to the criteria for success.

14.1.2 When the test is conducted to determine the input stress required to cause a specified type of damage, the precision depends largely upon the item being tested. The equipment, instrumentation, fixturing, methodology, and personnel also play important roles in precision. A research report indicates that there can be considerable variability between replicate tests for vertical impacts; it is believed that similar conclusions are true for horizontal impacts.

14.2 *Bias*—This test method has no bias because the results are defined only in terms of this test method.

## 15. Keywords

15.1 impact test; incline; packages; pendulum

<sup>4</sup> Supporting data have been filed at ASTM International Headquarters and may be obtained by requesting Research Report RR:D10-1004. Contact ASTM Customer Service at [service@astm.org](mailto:service@astm.org).

## ANNEX

### (Mandatory Information)

#### A1. IDENTIFICATION OF MEMBERS

A1.1 *Rectangular Containers*—The procedure for identification of the members (faces, edges, and corners) of rectangular containers shall be as follows (see Fig. A1.1).

A1.1.1 Facing one end of the box with the manufacturer's joint where applicable, on the observer's right, designate the top of the box as "1," the right side as "2," the bottom as "3," the left side as "4," the near end as "5," and the far end as "6."

A1.1.2 Identify the edges by the numbers of the two faces that form the edge: for example, 1-2 identifies the edge formed

by the top and the right side, and 2-5 the edge formed by the right side and near end. (The 2-5 edge is the edge having a vertical manufacturer's joint, and the 2-3 edge is the edge having a horizontal manufacturer's joint in fiberboard containers.)

A1.1.3 Identify the corners by the numbers of the three faces that meet to form that corner: for example, 1-2-6 identifies the corner where the top, the right side, and the far end meet.

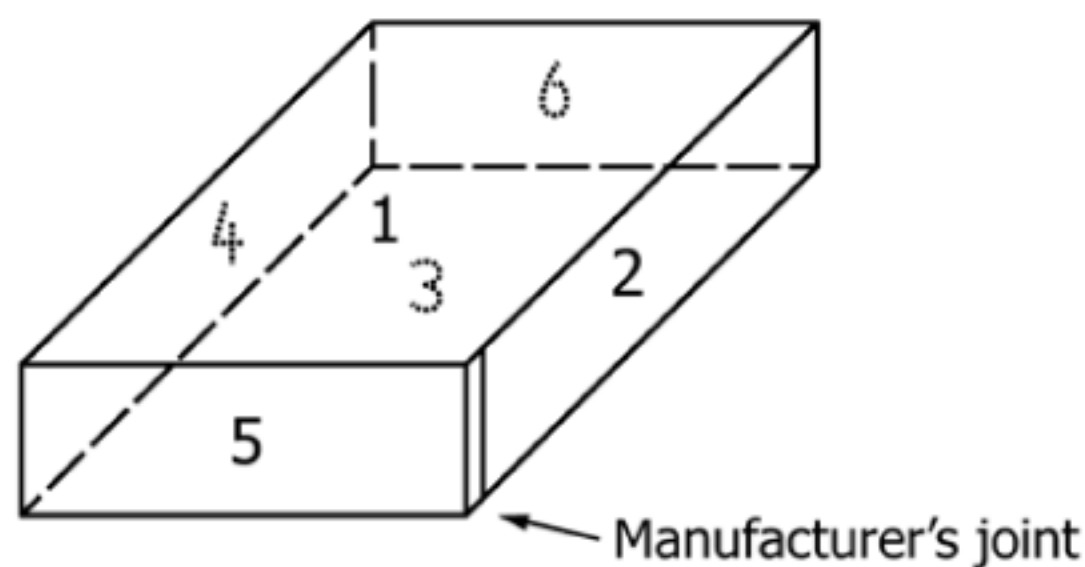


FIG. A1.1 Members of Rectangular Containers

A1.2 *Cylindrical Containers*—The procedure for identification of the members (top, bottom, sidewall, and chimes) of cylindrical containers shall be as follows (see Fig. A1.2).

A1.2.1 The ends of two perpendicular diameters on the upper surface of the cylindrical container shall be designated as 1, 3, 5, and 7, and the other ends of lines parallel to the cylinder axis passing as 2, 4, 6, and 8. If the package has one or more side seam joints, one of the joints should occupy the position 5 to 6.

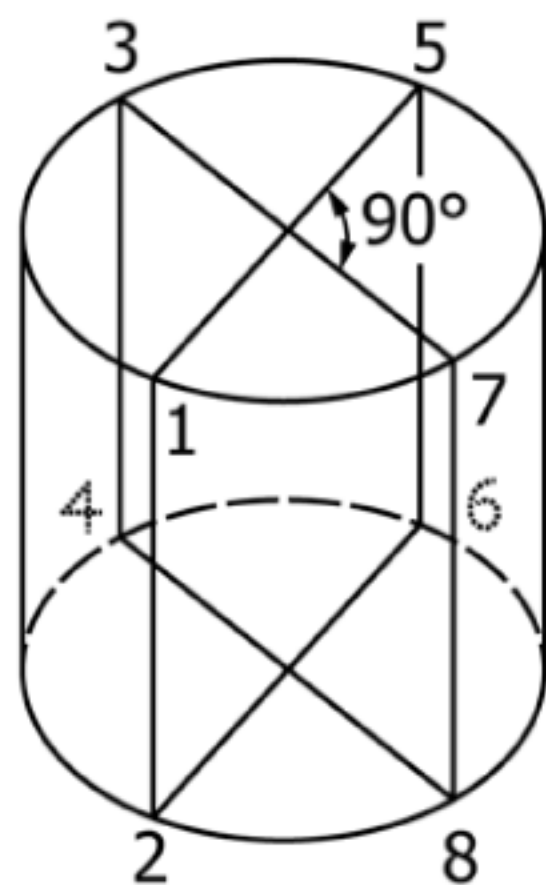


FIG. A1.2 Members of Cylindrical Containers

A1.2.2 Identify diagonal impacts on chimes by identifying the impact point by number, that is, impact on 1. Where it is desirable to impact on a midpoint between two locations on the chime, such a point can be designated using two numbers, that is, impact on 1-3.

A1.2.3 Identify impacts on sidewalls by identifying the impact point by two numbers, that is, impact on 3-4. Where it is desirable to impact on a midpoint between two locations on the sidewall, such a point can be designated using four numbers, that is, impact on 1-3-2-4.

A1.3 *Sack and Bags*—The procedure for identification of the members (faces, sides, top and bottom) of sacks and bags shall be as follows (see Fig. A1.3).

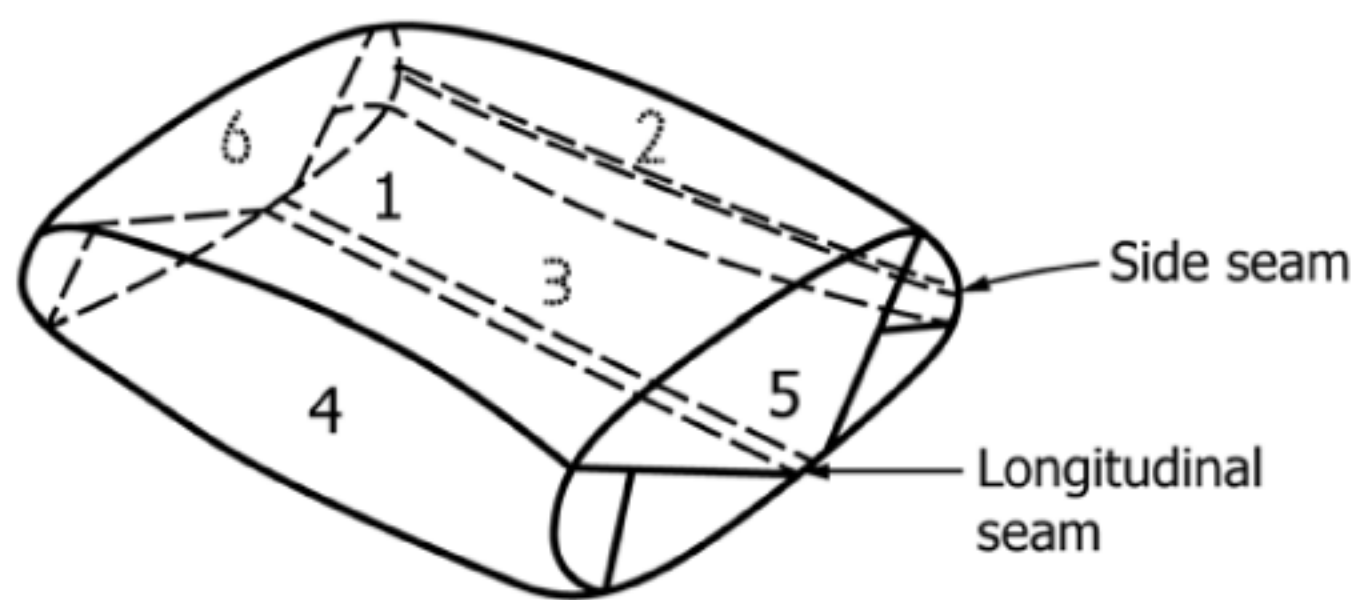


FIG. A1.3 Members of Sacks and Bags

A1.3.1 Facing the front of the bag with the top up, designate the front as “1,” the right side edge as “2,” the rear side as “3,” the left side edge as “4,” the bottom as “5,” and the top as “6.” (Where a sack or bag has one or more side seams, Side 2 shall include a side seam).

A1.4 In the case of shipping units or other types of individual containers, any convenient and adequate system of identification may be used.

*ASTM International takes no position respecting the validity of any patent rights asserted in connection with any item mentioned in this standard. Users of this standard are expressly advised that determination of the validity of any such patent rights, and the risk of infringement of such rights, are entirely their own responsibility.*

*This standard is subject to revision at any time by the responsible technical committee and must be reviewed every five years and if not revised, either reapproved or withdrawn. Your comments are invited either for revision of this standard or for additional standards and should be addressed to ASTM International Headquarters. Your comments will receive careful consideration at a meeting of the responsible technical committee, which you may attend. If you feel that your comments have not received a fair hearing you should make your views known to the ASTM Committee on Standards, at the address shown below.*

*This standard is copyrighted by ASTM International, 100 Barr Harbor Drive, PO Box C700, West Conshohocken, PA 19428-2959, United States. Individual reprints (single or multiple copies) of this standard may be obtained by contacting ASTM at the above address or at 610-832-9585 (phone), 610-832-9555 (fax), or service@astm.org (e-mail); or through the ASTM website (www.astm.org). Permission rights to photocopy the standard may also be secured from the Copyright Clearance Center, 222 Rosewood Drive, Danvers, MA 01923, Tel: (978) 646-2600; http://www.copyright.com/*