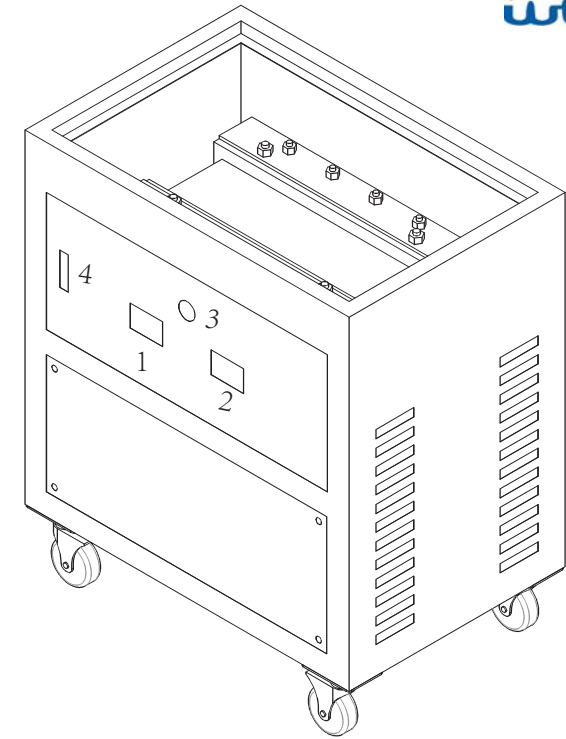
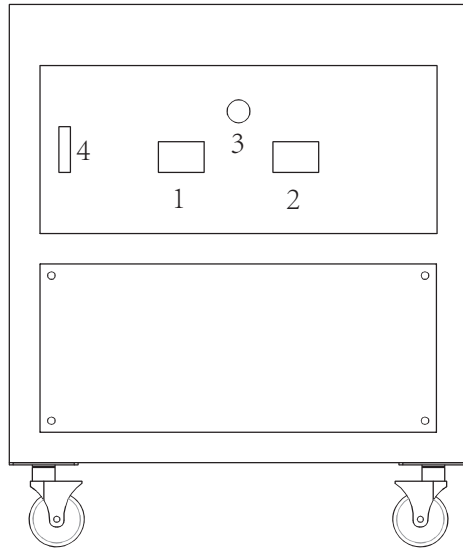
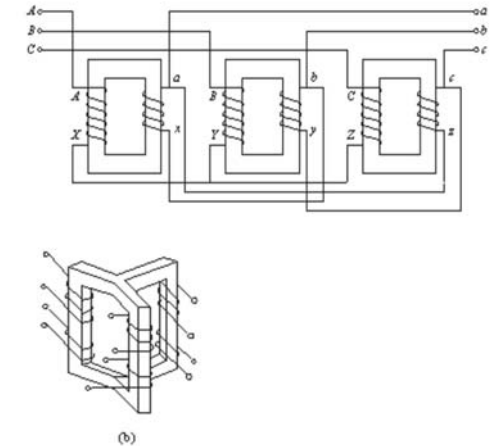
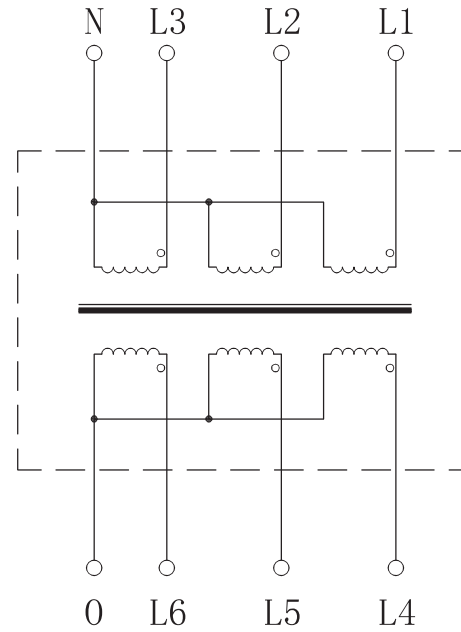
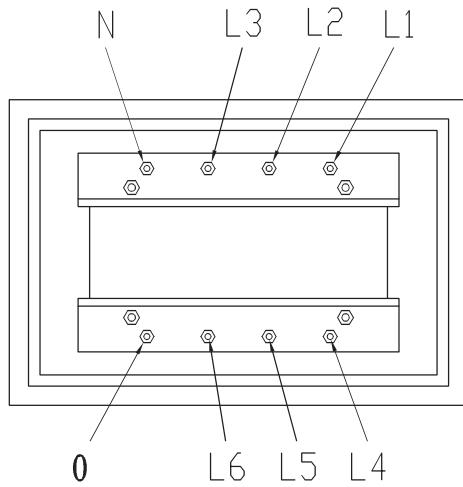


- 1 Voltage Monitor
- 2 Voltage Monitor
- 3 Power Signal
- 4 Door Locker



● 480V to 380V Power Supply Unit, Transformer Description:



- Input: AC, 480 V, Output: AC, 380 V
- Power: 18kW, Frequency: 50Hz/ 60Hz